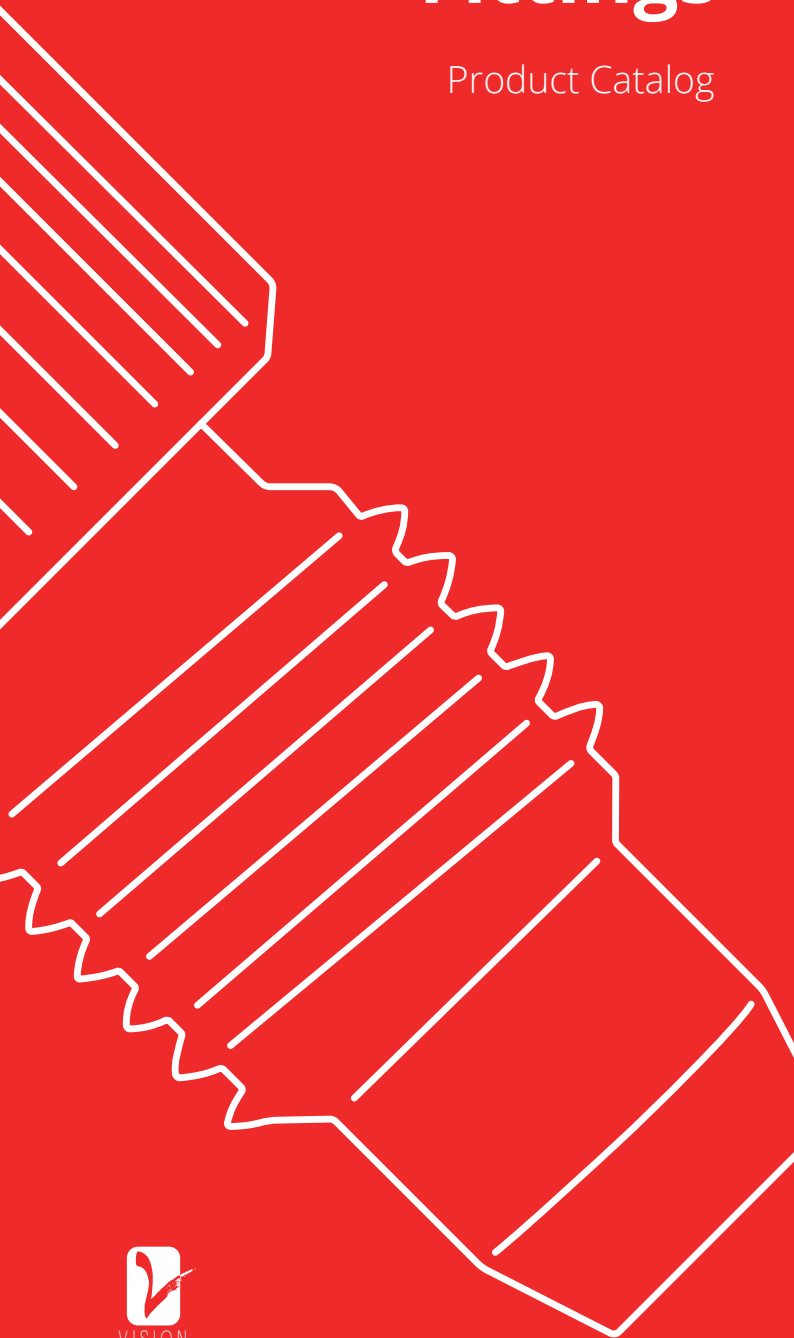


# Vision High Pressure Fittings

Product Catalog



VISION

<b>10-32 Threaded fittings</b>	
<i>One piece fittings</i> .....	4
<i>Two piece fittings</i> .....	8
<i>Double sided ferrule fittings</i> .....	12
<i>X Secure fittings</i> .....	16
<i>Ultra high pressure fittings</i> .....	21
<i>Double angled fittings</i> .....	24
<b>1/4"-28 Threaded fittings</b> .....	
<i>Flangeless 1/16" fittings</i> .....	27
<i>Flangeless 1/8" fittings</i> .....	28
<i>High pressure flangeless 1/8" fittings</i> .....	29
<b>5/16"-24 Threaded fittings</b> .....	30
<b>Luer adapters</b> .....	34
<b>Thread adapters</b> .....	38
<b>Unions</b> .....	43
<b>Sealing plugs</b> .....	47

## FINGERTIGHT FITTING, STANDARD

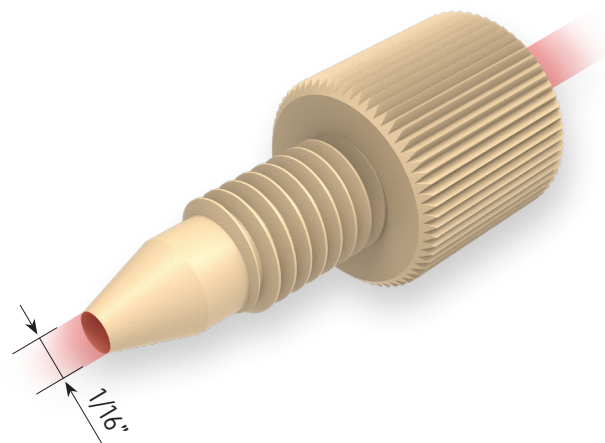
**Pressure rating:** 345 bar

**Material:** PEEK, PEEKC, Zx410

**Thread:** 10-32 UNF

**O.D. through:** 1/16"

**Diameter:** 9 mm



Part number	Description	Packaging
VHF-0100	10-32 fingertight fitting for 1/16" tubing, PEEK	10/pk
VHF-0104	10-32 fingertight fitting for 1/16" tubing, PEEKC	10/pk
VHF-0108	10-32 fingertight fitting for 1/16" tubing, Zx410	10/pk



For more information visit  
[www.visionhpfittings.com](http://www.visionhpfittings.com)

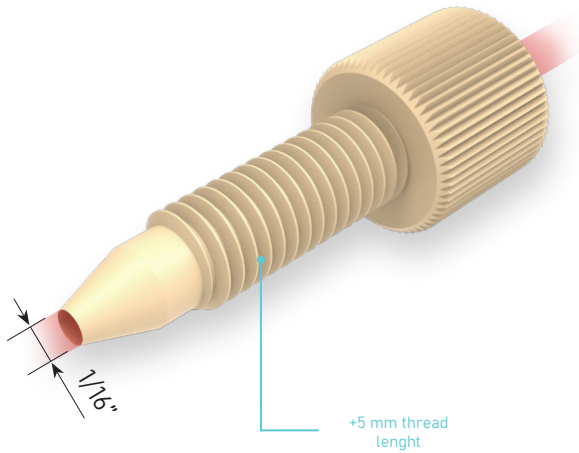
**Contact email:** info@visionec.hu

HUNGARY,  
 H-2132 Göd, Attila str. 13.

# 10-32 THREADED FITTINGS

## FINGERTIGHT FITTING, LONG

**Pressure rating:** 345 bar  
**Material:** PEEK, PEEKC, Zx410  
**Thread:** 10-32 UNF  
**O.D. through:** 1/16"  
**Diameter:** 9 mm

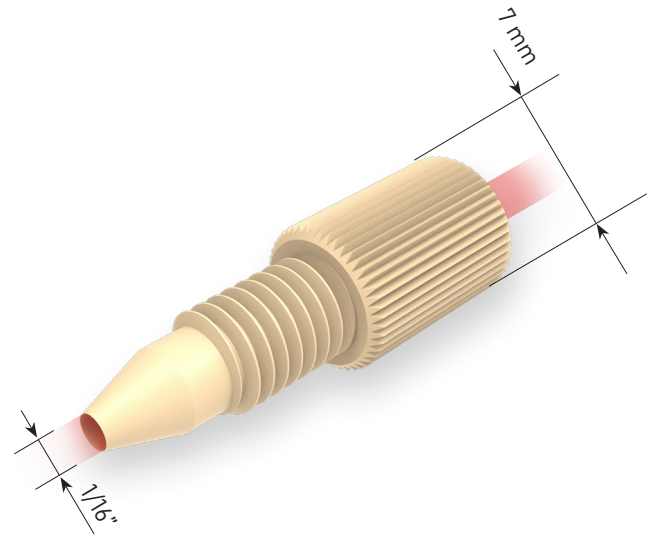


Part number	Description	Packaging
VHF-0101	10-32 long fingertight fitting for 1/16" tubing, PEEK	10/pk
VHF-0105	10-32 long fingertight fitting for 1/16" tubing, PEEKC	10/pk
VHF-0109	10-32 long fingertight fitting for 1/16" tubing, Zx410	10/pk

# 10-32 THREADED FITTINGS

## FINGERTIGHT FITTING, NARROW

**Pressure rating:** 345 bar  
**Material:** PEEK, PEEKC, Zx410  
**Thread:** UNF 10-32  
**O.D. through:** 1/16"  
**Diameter:** 7 mm

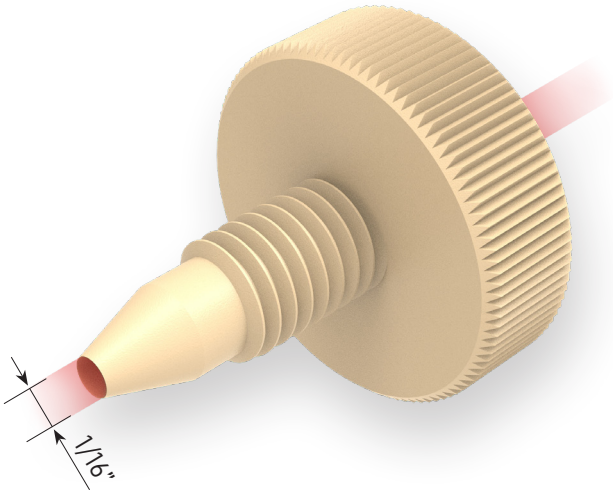


Part number	Description	Packaging
VHF-0102	10-32 narrow fingertight fitting for 1/16" tubing, PEEK	10/pk
VHF-0106	10-32 narrow fingertight fitting for 1/16" tubing, PEEKC	10/pk
VHF-0110	10-32 narrow fingertight fitting for 1/16" tubing, Zx410	10/pk

# 10-32 THREADED FITTINGS

## FINGERTIGHT FITTING, WIDE

**Pressure rating:** 345 bar  
**Material:** PEEK, PEEKC, Zx410  
**Thread:** UNF 10-32  
**O.D. through:** 1/16"  
**Diameter:** 15 mm

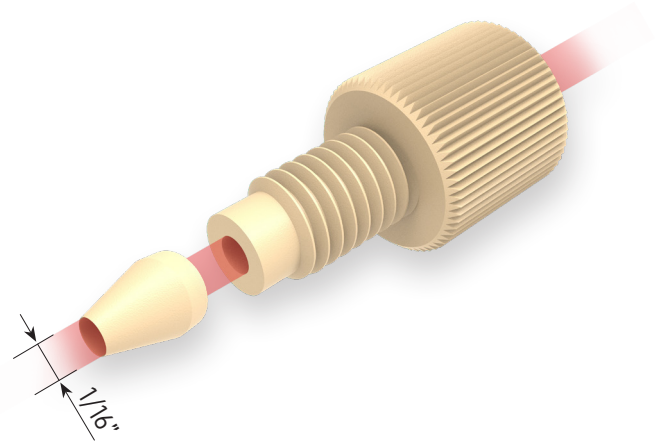


Part number	Description	Packaging
VHF-0103	10-32 fingertight wide fitting for 1/16" tubing, PEEK	10/pk
VHF-0107	10-32 fingertight wide fitting for 1/16" tubing, PEEKC	10/pk
VHF-0111	10-32 fingertight wide fitting for 1/16" tubing, Zx410	10/pk

# 10-32 THREADED FITTINGS

## TWO-PIECE FINGERTIGHT FITTING

**Pressure:** 345 bar  
**Material:** PEEK  
**Thread:** UNF 10-32  
**O.D. through:** 1/16"  
**Diameter:** 9 mm



Part number	Description	Packaging
VHF-0113	10-32 fingertight nut for 1/16" tubing, PEEK	10/pk

## Replacement ferrules:

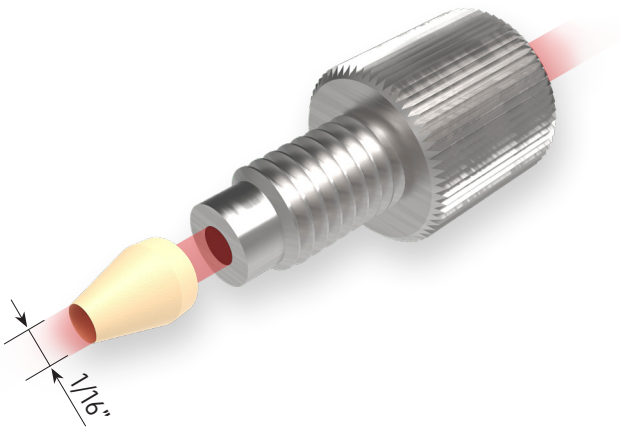
Part number	Description	Packaging
VHF-0114	ferrule for 10-32 fingertight fittings (for 1/16" tubing), PEEK	10/pk



# 10-32 THREADED FITTINGS

## TWO-PIECE FINGERTIGHT FITTING

**Pressure rating:** 345 bar  
**Ferrule Material:** PEEK  
**Nut Material:** SS316L  
**Thread:** UNF 10-32  
**O.D. through:** 1/16"  
**Diameter:** 9 mm



Part number	Description	Packaging
VHF-0115	10-32 fingertight nut for 1/16" tubing, SS	10/pk

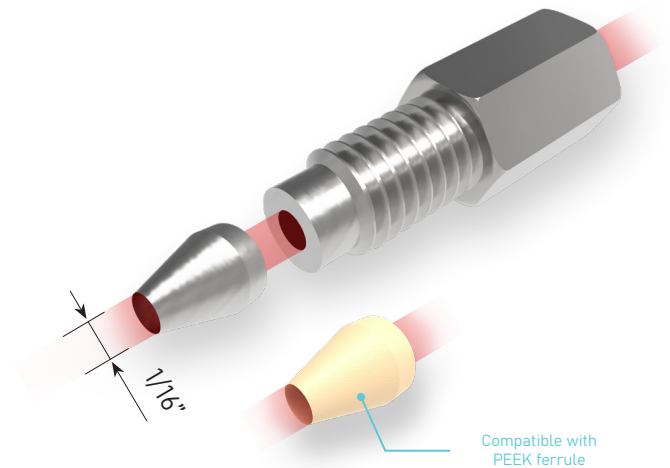
### Replacement ferrules:

Part number	Description	Packaging
VHF-0114	ferrule for 10-32 fingertight fittings (for 1/16" tubing), PEEK	10/pk

# 10-32 THREADED FITTINGS

## TWO-PIECE HEX NUT FITTING

**Pressure:** 345-1000 bar\*  
**Ferrule Material:** PEEK, SS316L  
**Nut Material:** SS316L  
**Thread:** UNF 10-32  
**O.D. through:** 1/16"  
**Wrench size:** 6



Part number	Description	Packaging
VHF-0117	10-32 hex nut (6mm) fitting for 1/16" tubing, SS	10/pk
VHF-0121	10-32 short hex nut (6mm) fitting for 1/16" tubing, SS	10/pk

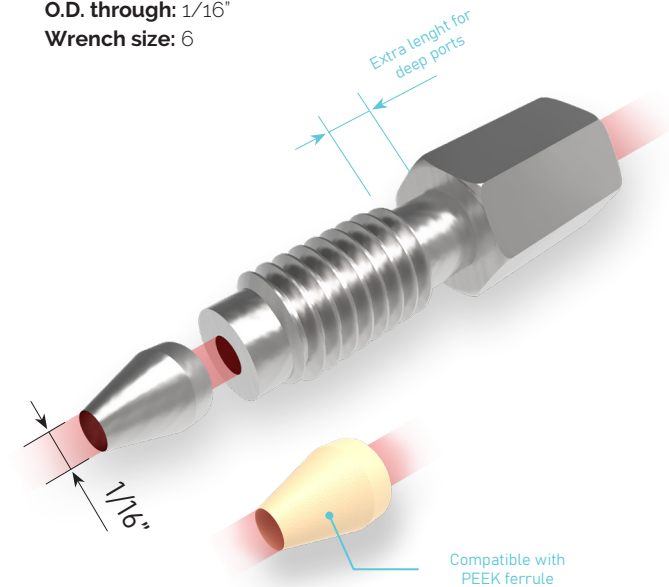
### \*Replacement ferrules:

Part number	Description	Packaging
VHF-0114	ferrule for 10-32 fingertight fittings (for 1/16" tubing), PEEK	10/pk
VHF-0116	ferrule for 10-32 fittings (for 1/16" tubing), SS	10/pk

# 10-32 THREADED FITTINGS

## TWO-PIECE HEX NUT FITTING, LONG

**Pressure:** 345-1000 bar\*  
**Ferrule Material:** PEEK, SS316L  
**Nut Material:** SS316L  
**Thread:** UNF 10-32  
**O.D. through:** 1/16"  
**Wrench size:** 6



Part number	Description	Packaging
VHF-0118	10-32 long hex nut (6mm) fitting for 1/16" tubing, SS	10/pk

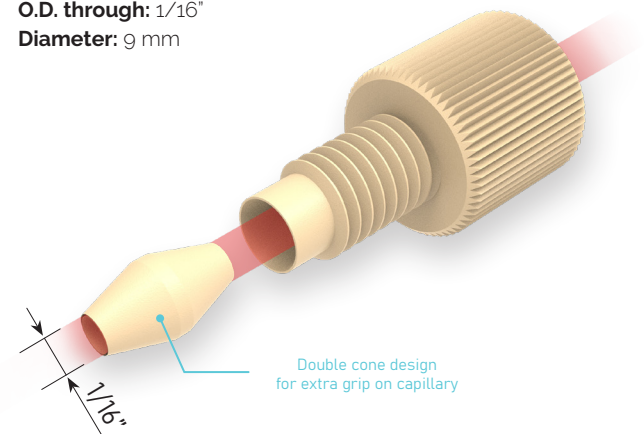
### \*Replacement ferrules:

Part number	Description	Packaging
VHF-0114	ferrule for 10-32 fingertight fittings (for 1/16" tubing), PEEK	10/pk
VHF-0116	ferrule for 10-32 fittings (for 1/16" tubing), SS	10/pk

# 10-32 THREADED FITTINGS

## FINGERTIGHT FITTING WITH DOUBLE SIDED FERRULE

**Pressure:** 345-600 bar\*  
**Ferrule Material:** PEEK, PEEKC, Zx410  
**Nut Material:** PEEK, PEEKC, POM (Acetal), Zx410  
**Thread:** UNF 10-32  
**O.D. through:** 1/16"  
**Diameter:** 9 mm



Part number	Description	Packaging
VHF-0200	10-32 invert fingertight fitting for 1/16" tubing, PEEK	10/pk
VHF-0202	10-32 invert fingertight fitting for 1/16" tubing, PEEKC	10/pk
VHF-0204	10-32 invert fingertight fitting for 1/16" tubing, Zx410	10/pk
VHF-0206	10-32 invert fingertight fitting for 1/16" tubing, POM red	10/pk
VHF-0208	10-32 invert fingertight fitting for 1/16" tubing, POM blue	10/pk
VHF-0210	10-32 invert fingertight fitting for 1/16" tubing, POM black	10/pk
VHF-0212	10-32 invert fingertight fitting for 1/16" tubing, POM white	10/pk

### \*Replacement ferrules:

Part number	Description	Packaging
VHF-0214	Double sided ferrule for invert fingertight fittings, PEEK	10/pk
VHF-0215	Double sided ferrule for invert fingertight fittings, PEEKC	10/pk
VHF-0216	Double sided ferrule for invert fingertight fittings, Zx410	10/pk

# 10-32 THREADED FITTINGS

## WIDE FINGERTIGHT FITTING WITH DOUBLE SIDED FERRULE

**Pressure:** 345-600 bar\*

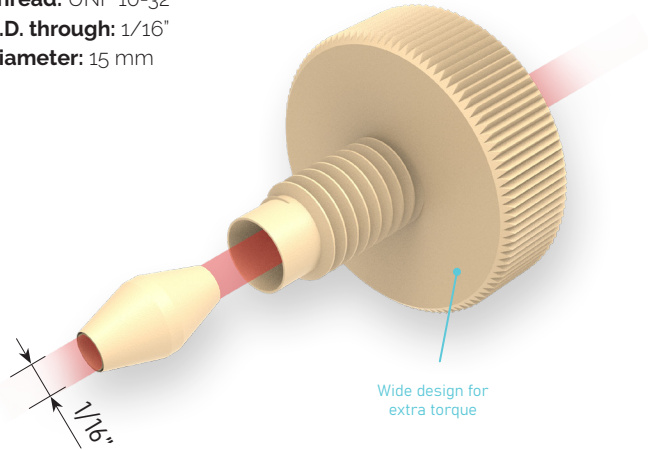
**Ferrule Material:** PEEK, PEEKC, Zx410

**Nut Material:** PEEK, PEEKC, POM (Acetal), Zx410

**Thread:** UNF 10-32

**O.D. through:** 1/16"

**Diameter:** 15 mm



Part number	Description	Packaging
VHF-0201	10-32 wide invert fingertight fitting for 1/16" tubing, PEEK	10/pk
VHF-0203	10-32 wide invert fingertight fitting for 1/16" tubing, PEEKC	10/pk
VHF-0205	10-32 wide invert fingertight fitting for 1/16" tubing, Zx410	10/pk
VHF-0207	10-32 wide invert fingertight fitting for 1/16" tubing, POM red	10/pk
VHF-0209	10-32 wide invert fingertight fitting for 1/16" tubing, POM blue	10/pk
VHF-0211	10-32 wide invert fingertight fitting for 1/16" tubing, POM black	10/pk
VHF-0213	10-32 wide invert fingertight fitting for 1/16" tubing, POM white	10/pk

### \*Replacement ferrules:

Part number	Description	Packaging
VHF-0214	Double sided ferrule for invert fingertight fittings, PEEK	10/pk
VHF-0215	Double sided ferrule for invert fingertight fittings, PEEKC	10/pk
VHF-0216	Double sided ferrule for invert fingertight fittings, Zx410	10/pk

# 10-32 THREADED FITTINGS

## FINGERTIGHT FITTING WITH DOUBLE SIDED FERRULE

**Pressure:** 345-600 bar\*

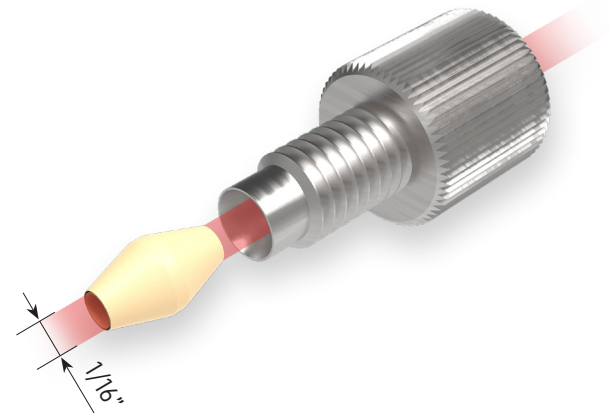
**Ferrule Material:** PEEK, PEEKC, Zx410

**Nut Material:** SS 316L

**Thread:** UNF 10-32

**O.D. through:** 1/16"

**Diameter:** 9 mm



Part number	Description	Packaging
VHF-0218	10-32 invert fingertight fitting for 1/16" tubing, SS	10/pk

### \*Replacement ferrules:

Part number	Description	Packaging
VHF-0214	Double sided ferrule for invert fingertight fittings, PEEK	10/pk
VHF-0215	Double sided ferrule for invert fingertight fittings, PEEKC	10/pk
VHF-0216	Double sided ferrule for invert fingertight fittings, Zx410	10/pk

## HEX NUT FITTING WITH DOUBLE SIDED FERRULE

**Pressure:** 345-1000 bar\*

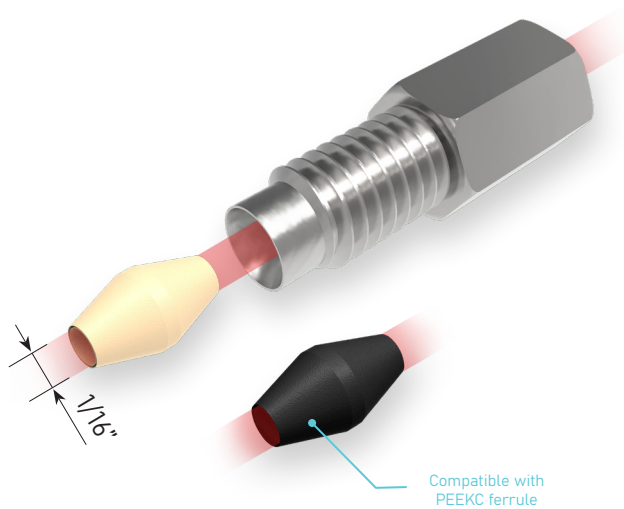
**Ferrule Material:** PEEK, PEEKC, Zx410, SS 316L

**Nut Material:** SS 316L

**Thread:** UNF 10-32

**O.D. through:** 1/16"

**Wrench size:** 6



Part number	Description	Packaging
VHF-0219	10-32 invert hex nut (6mm) fitting for 1/16" tubing, SS	10/pk

### \*Replacement ferrules:

Part number	Description	Packaging
VHF-0214	Double sided ferrule for invert fingertight fittings, PEEK	10/pk
VHF-0215	Double sided ferrule for invert fingertight fittings, PEEKC	10/pk
VHF-0216	Double sided ferrule for invert fingertight fittings, Zx410	10/pk
VHF-0221	Double sided long ferrule for invert fingertight fittings, SS	10/pk

## FINGERTIGHT WIDE FITTING WITH DOUBLE SIDED FERRULE

**Pressure:** 345-600 bar\*

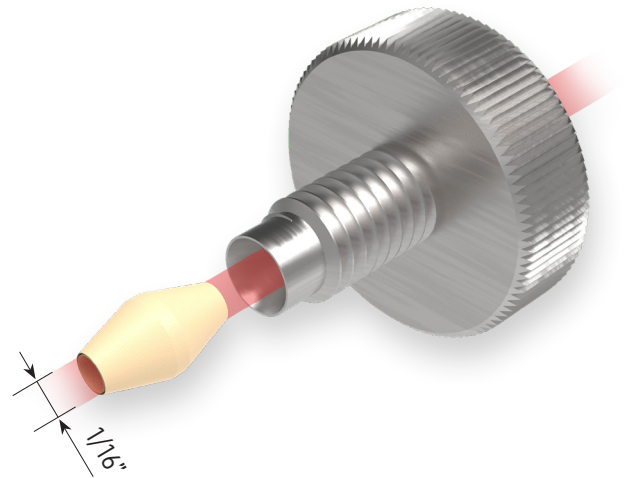
**Ferrule Material:** PEEK, PEEKC, Zx410

**Nut Material:** SS 316L

**Thread:** UNF 10-32

**O.D. through:** 1/16"

**Diameter:** 15 mm



Part number	Description	Packaging
VHF-0220	10-32 invert wide fingertight fitting for 1/16" tubing, SS	10/pk

### \*Replacement ferrules:

Part number	Description	Packaging
VHF-0214	Double sided ferrule for invert fingertight fittings, PEEK	10/pk
VHF-0215	Double sided ferrule for invert fingertight fittings, PEEKC	10/pk
VHF-0216	Double sided ferrule for invert fingertight fittings, Zx410	10/pk

## X SECURE FINGERTIGHT FITTING, STANDARD

**Pressure:** 345-600 bar\*

**Ferrule Material:** PEEK, PEEKC, Zx410

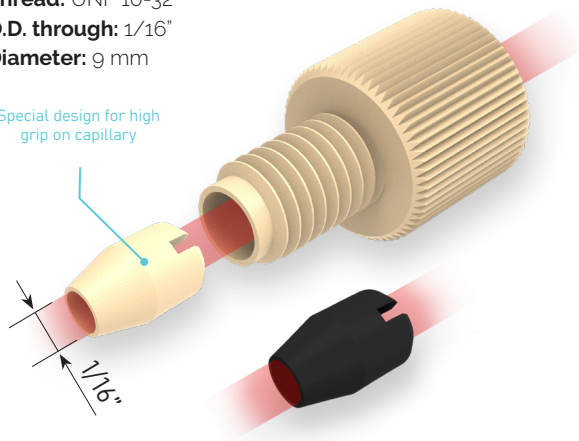
**Nut Material:** PEEK, PEEKC, POM (Acetal), Zx410

**Thread:** UNF 10-32

**O.D. through:** 1/16"

**Diameter:** 9 mm

Special design for high grip on capillary



Part number	Description	Packaging
VHF-0300	10-32 x secure nut for 1/16" tubing, PEEK	10/pk
VHF-0303	10-32 x secure nut for 1/16" tubing, PEEKC	10/pk
VHF-0306	10-32 x secure nut for 1/16" tubing, Zx410	10/pk
VHF-0309	10-32 x secure nut for 1/16" tubing, POM red	10/pk
VHF-0312	10-32 x secure nut for 1/16" tubing, POM blue	10/pk
VHF-0315	10-32 x secure nut for 1/16" tubing, POM black	10/pk
VHF-0318	10-32 x secure nut for 1/16" tubing, POM white	10/pk

### \*Replacement ferrules:

Part number	Description	Packaging
VHF-0321	X secure ferrule, PEEK	10/pk
VHF-0322	X secure ferrule, PEEKC	10/pk
VHF-0323	X secure ferrule, Zx410	10/pk

## X SECURE FINGERTIGHT FITTING, NARROW

**Pressure:** 345-600 bar\*

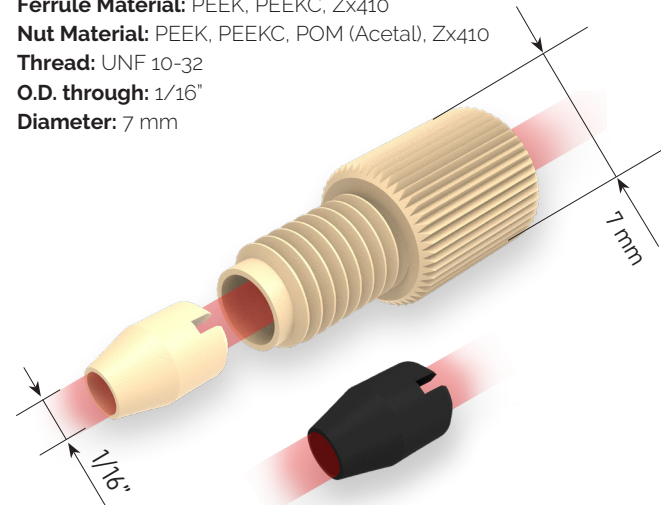
**Ferrule Material:** PEEK, PEEKC, Zx410

**Nut Material:** PEEK, PEEKC, POM (Acetal), Zx410

**Thread:** UNF 10-32

**O.D. through:** 1/16"

**Diameter:** 7 mm



Part number	Description	Packaging
VHF-0301	10-32 narrow x secure nut for 1/16" tubing, PEEK	10/pk
VHF-0304	10-32 narrow x secure nut for 1/16" tubing, PEEKC	10/pk
VHF-0307	10-32 narrow x secure nut for 1/16" tubing, Zx410	10/pk
VHF-0310	10-32 narrow x secure nut for 1/16" tubing, POM red	10/pk
VHF-0313	10-32 narrow x secure nut for 1/16" tubing, POM blue	10/pk
VHF-0316	10-32 narrow x secure nut for 1/16" tubing, POM black	10/pk
VHF-0319	10-32 narrow x secure nut for 1/16" tubing, POM white	10/pk

### \*Replacement ferrules:

Part number	Description	Packaging
VHF-0321	X secure ferrule, PEEK	10/pk
VHF-0322	X secure ferrule, PEEKC	10/pk
VHF-0323	X secure ferrule, Zx410	10/pk

# 10-32 THREADED FITTINGS

## X SECURE FINGERTIGHT FITTING, MICRO

**Pressure:** 345-600 bar\*

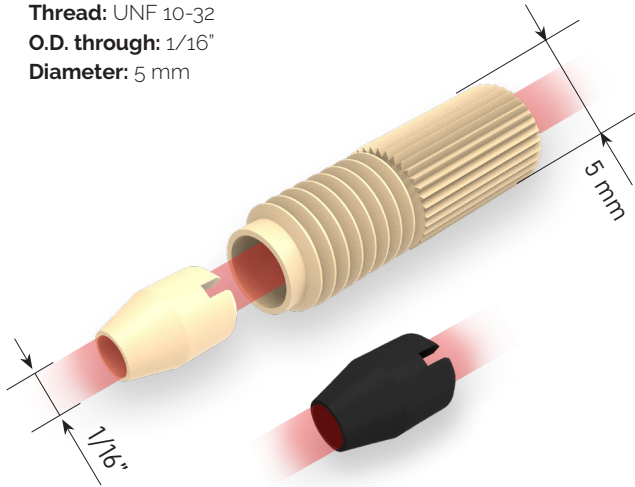
**Ferrule Material:** PEEK, PEEKC, Zx410

**Nut Material:** PEEK, PEEKC, POM (Acetal), Zx410

**Thread:** UNF 10-32

**O.D. through:** 1/16"

**Diameter:** 5 mm



Part number	Description	Packaging
VHF-0302	10-32 micro x secure nut for 1/16" tubing, PEEK	10/pk
VHF-0305	10-32 micro x secure nut for 1/16" tubing, PEEKC	10/pk
VHF-0308	10-32 micro x secure nut for 1/16" tubing, Zx410	10/pk
VHF-0311	10-32 micro x secure nut for 1/16" tubing, POM red	10/pk
VHF-0314	10-32 micro x secure nut for 1/16" tubing, POM blue	10/pk
VHF-0317	10-32 micro x secure nut for 1/16" tubing, POM black	10/pk
VHF-0320	10-32 micro x secure nut for 1/16" tubing, POM white	10/pk

### \*Replacement ferrules:

Part number	Description	Packaging
VHF-0321	X secure ferrule, PEEK	10/pk
VHF-0322	X secure ferrule, PEEKC	10/pk
VHF-0323	X secure ferrule, Zx410	10/pk

# 10-32 THREADED FITTINGS

## X SECURE FINGERTIGHT FITTING

**Pressure:** 345-600 bar\*

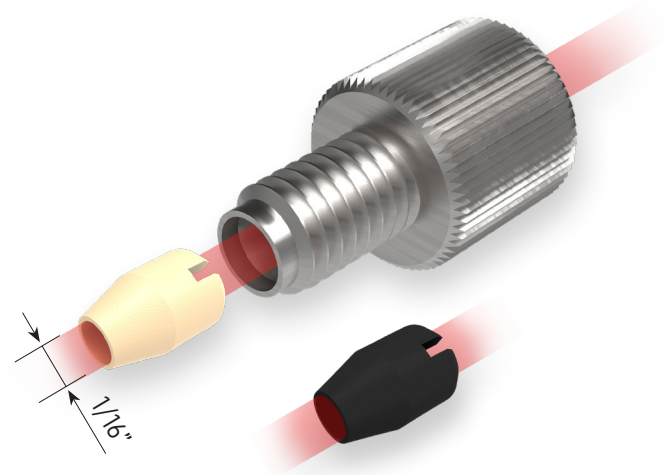
**Ferrule Material:** PEEK, PEEKC, Zx410

**Nut Material:** SS 316L

**Thread:** UNF 10-32

**O.D. through:** 1/16"

**Diameter:** 9 mm



Part number	Description	Packaging
VHF-0324	10-32 x secure nut for 1/16" tubing, SS	10/pk

### \*Replacement ferrules:

Part number	Description	Packaging
VHF-0321	X secure ferrule, PEEK	10/pk
VHF-0322	X secure ferrule, PEEKC	10/pk
VHF-0323	X secure ferrule, Zx410	10/pk

# 10-32 THREADED FITTINGS

## X SECURE HEX NUT FITTING

**Pressure:** 345-600 bar\*

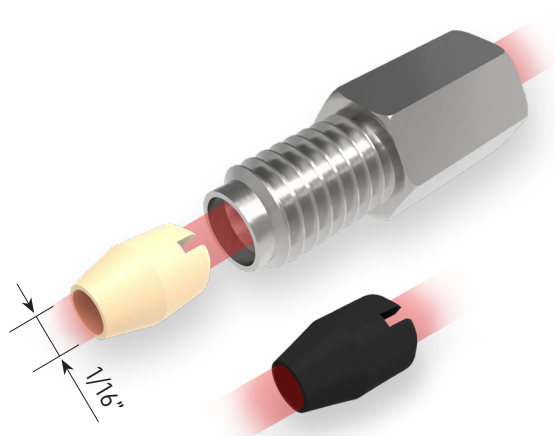
**Ferrule Material:** PEEK, PEEKC, Zx410

**Nut Material:** SS 316L

**Thread:** UNF 10-32

**O.D. through:** 1/16"

**Wrench size:** 6



Part number	Description	Packaging
VHF-0325	10-32 x secure hex nut (6mm) fitting for 1/16" tubing, SS	10/pk

### \*Replacement ferrules:

Part number	Description	Packaging
VHF-0321	X secure ferrule, PEEK	10/pk
VHF-0322	X secure ferrule, PEEKC	10/pk
VHF-0323	X secure ferrule, Zx410	10/pk

# 10-32 THREADED FITTINGS

## ULTRA HIGH PRESSURE FINGERTIGHT FITTING

**Pressure:** 600-1200 bar\*

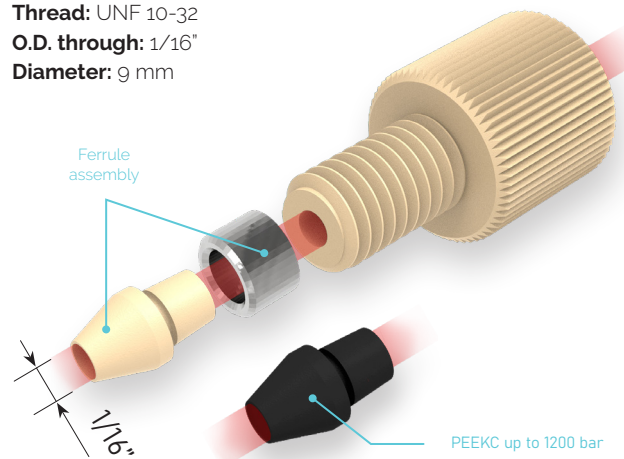
**Ferrule Material:** PEEK, PEEKC, Zx410 + SS316L ring

**Nut Material:** PEEK, PEEKC, Zx410, POM (Acetal)

**Thread:** UNF 10-32

**O.D. through:** 1/16"

**Diameter:** 9 mm



Part number	Description	Packaging
VHF-0400	10-32 high pressure fingertight nut for 1/16" tubing, PEEK	10/pk
VHF-0401	10-32 high pressure fingertight nut for 1/16" tubing, PEEKC	10/pk
VHF-0402	10-32 high pressure fingertight nut for 1/16" tubing, Zx410	10/pk
VHF-0403	10-32 high pressure fingertight nut for 1/16" tubing, POM red	10/pk
VHF-0404	10-32 high pressure fingertight nut for 1/16" tubing, POM blue	10/pk
VHF-0405	10-32 high pressure fingertight nut for 1/16" tubing, POM black	10/pk
VHF-0406	10-32 high pressure fingertight nut for 1/16" tubing, POM white	10/pk

### \*Replacement ferrules:

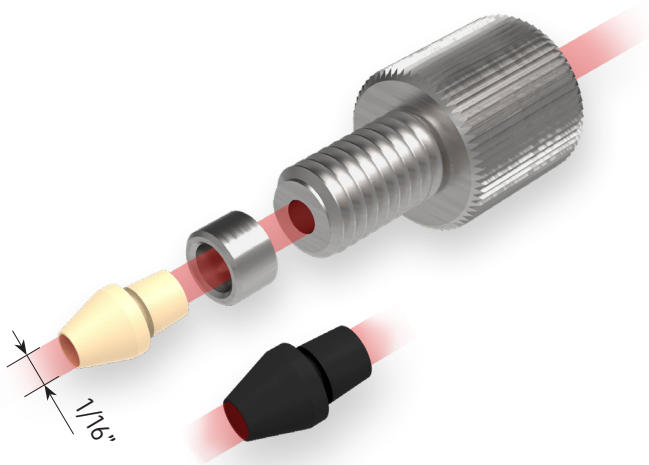
Part number	Description	Packaging
VHF-0407	Ferrule for high pressure fitting, PEEK with SS ring	10/pk
VHF-0408	Ferrule for high pressure fitting, PEEKC with SS ring	10/pk
VHF-0409	Ferrule for high pressure fitting, Zx410 with SS ring	10/pk



# 10-32 THREADED FITTINGS

## ULTRA HIGH PRESSURE FINGERTIGHT FITTING

**Pressure:** 600-1200 bar\*  
**Ferrule Material:** PEEK, PEEKC, Zx410 +SS316L ring  
**Nut Material:** SS 316L  
**Thread:** UNF 10-32  
**O.D. through:** 1/16"  
**Diameter:** 9 mm



Part number	Description	Packaging
VHF-0410	10-32 high pressure fingertight nut for 1/16" tubing, SS	10/pk

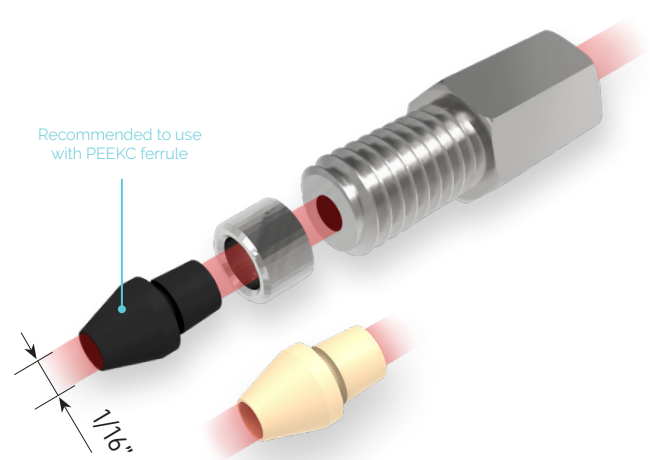
### \*Replacement ferrules:

Part number	Description	Packaging
VHF-0407	Ferrule for high pressure fitting, PEEK with SS ring	10/pk
VHF-0408	Ferrule for high pressure fitting, PEEKC with SS ring	10/pk
VHF-0409	Ferrule for high pressure fitting, Zx410 with SS ring	10/pk

# 10-32 THREADED FITTINGS

## ULTRA HIGH PRESSURE HEX NUT FITTING

**Pressure:** 600-1200 bar\*  
**Ferrule Material:** PEEK, PEEKC, Zx410 +SS316L ring  
**Nut Material:** SS 316L  
**Thread:** UNF 10-32  
**O.D. through:** 1/16"  
**Wrench size:** 6



Part number	Description	Packaging
VHF-0411	10-32 high pressure hex nut (6mm) fitting for 1/16" tubing, SS	10/pk
VHF-0413	10-32 long high pressure hex nut (6mm) fitting for 1/16" tubing, SS	10/pk

### \*Replacement ferrules:

Part number	Description	Packaging
VHF-0407	Ferrule for high pressure fitting, PEEK with SS ring	10/pk
VHF-0408	Ferrule for high pressure fitting, PEEKC with SS ring	10/pk
VHF-0409	Ferrule for high pressure fitting, Zx410 with SS ring	10/pk
VHF-0412	One piece ferrule for 10-32 high pressure fittings, SS	10/pk



# 10-32 THREADED FITTINGS

## DOUBLE ANGLED FINGERTIGHT FITTING

**Pressure:** 400-600 bar\*

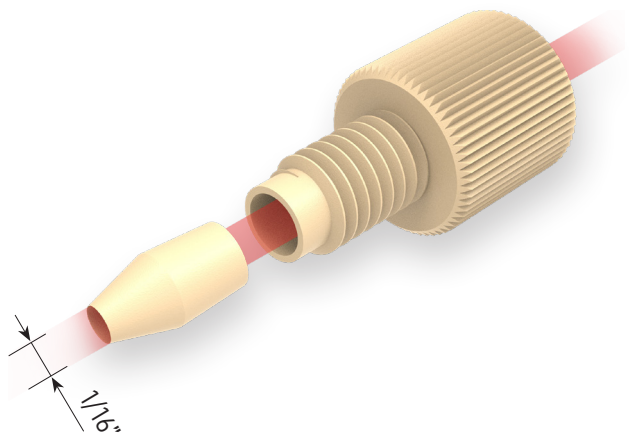
**Ferrule Material:** PEEK, PEEKC, Zx410

**Nut Material:** PEEK, PEEKC, POM (Acetal), Zx410

**Thread:** UNF 10-32

**O.D. through:** 1/16"

**Diameter:** 9 mm



Part number	Description	Packaging
VHF-0500	10-32 fingertight body, PEEK	10/pk
VHF-0501	10-32 fingertight body, PEEKC	10/pk
VHF-0502	10-32 fingertight body, Zx410	10/pk
VHF-0503	10-32 fingertight body, POM red	10/pk
VHF-0504	10-32 fingertight body, POM blue	10/pk
VHF-0505	10-32 fingertight body, POM black	10/pk
VHF-0506	10-32 fingertight body, POM white	10/pk

### \*Replacement ferrules:

Part number	Description	Packaging
VHF-0507	Inlet for fingertight body, PEEK	10/pk
VHF-0508	Inlet for fingertight body, PEEKC	10/pk
VHF-0509	Inlet for fingertight body, Zx410	10/pk

# 10-32 THREADED FITTINGS

## DOUBLE ANGLED FINGERTIGHT FITTING

**Pressure:** 400-600 bar\*

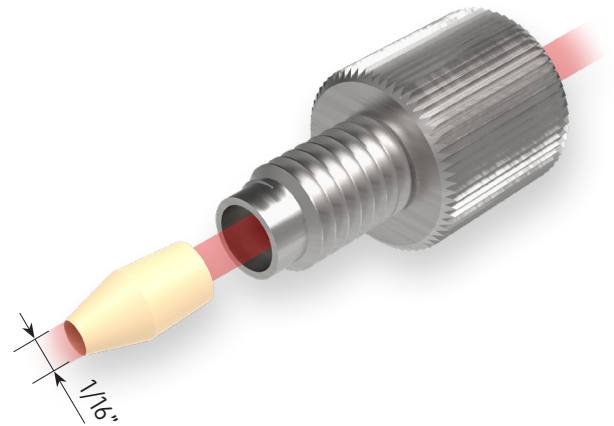
**Ferrule Material:** PEEK, PEEKC, Zx410

**Nut Material:** SS 316L

**Thread:** UNF 10-32

**O.D. through:** 1/16"

**Diameter:** 9 mm



Part number	Description	Packaging
VHF-0510	10-32 fingertight body, SS	10/pk

### \*Replacement ferrules:

Part number	Description	Packaging
VHF-0507	Inlet for fingertight body, PEEK	10/pk
VHF-0508	Inlet for fingertight body, PEEKC	10/pk
VHF-0509	Inlet for fingertight body, Zx410	10/pk

# 10-32 THREADED FITTINGS

## DOUBLE ANGLED HEX NUT FITTING

**Pressure:** 400-600 bar\*

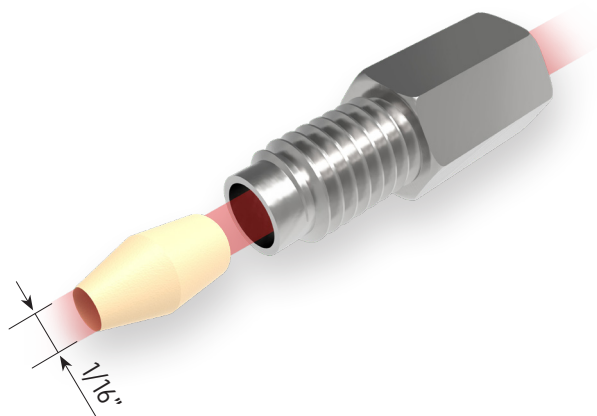
**Ferrule Material:** PEEK, PEEKC, Zx410

**Nut Material:** SS 316L

**Thread:** UNF 10-32

**O.D. through:** 1/16"

**Wrench size:** 6



Part number	Description	Packaging
VHF-0511	10-32 hex nut (6mm) body, SS	10/pk

### \*Replacement ferrules:

Part number	Description	Packaging
VHF-0507	Inlet for fingertight body, PEEK	10/pk
VHF-0508	Inlet for fingertight body, PEEKC	10/pk
VHF-0509	Inlet for fingertight body, Zx410	10/pk

# 1/4"-28 THREADED FITTINGS

## FLANGLASS FITTING

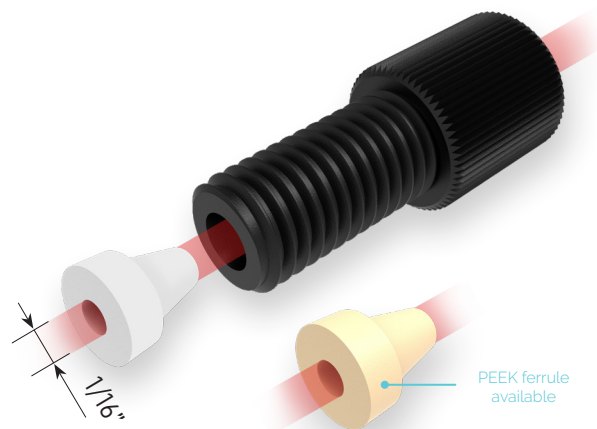
**Pressure:** 35-100 bar

**Ferrule Material:** PTFE, PEEK

**Nut Material:** POM (Acetal), PEEK, PEEKC, Zx410

**O.D. through:** 1/16"

**Diameter:** 9 mm



Part number	Description	Packaging
VHF-0600	1/4-28" flangeless nut for 1/16" tubing, PEEK	10/pk
VHF-0601	1/4-28" flangeless nut for 1/16" tubing, PEEKC	10/pk
VHF-0602	1/4-28" flangeless nut for 1/16" tubing, Zx410	10/pk
VHF-0603	1/4-28" flangeless nut for 1/16" tubing, POM red	10/pk
VHF-0604	1/4-28" flangeless nut for 1/16" tubing, POM blue	10/pk
VHF-0605	1/4-28" flangeless nut for 1/16" tubing, POM black	10/pk
VHF-0606	1/4-28" flangeless nut for 1/16" tubing, POM white	10/pk

### Replacement ferrules:

Part number	Description	Packaging
VHF-0607	Ferrule for flangeless fittings, PTFE	10/pk
VHF-0608	Ferrule for flangeless fittings, PEEK	10/pk

# 1/4"-28 THREADED FITTINGS

## FLANGLASS FITTING

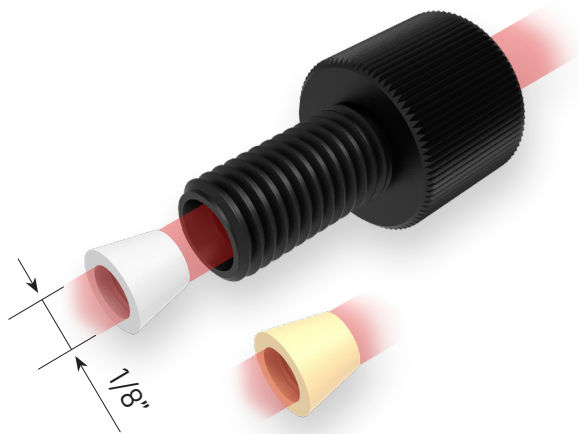
**Pressure:** 35-100 bar

**Ferrule Material:** PTFE, PEEK

**Nut Material:** POM (Acetal), PEEK, PEEKC, Zx410

**O.D. through:** 1/8"

**Diameter:** 12 mm



Part number	Description	Packaging
VHF-0700	1/4-28" flangeless nut for 1/8" tubing, PEEK	10/pk
VHF-0701	1/4-28" flangeless nut for 1/8" tubing, PEEKC	10/pk
VHF-0702	1/4-28" flangeless nut for 1/8" tubing, Zx410	10/pk
VHF-0703	1/4-28" flangeless nut for 1/8" tubing, POM red	10/pk
VHF-0704	1/4-28" flangeless nut for 1/8" tubing, POM blue	10/pk
VHF-0705	1/4-28" flangeless nut for 1/8" tubing, POM black	10/pk
VHF-0706	1/4-28" flangeless nut for 1/8" tubing, POM white	10/pk

### Replacement ferrules:

Part number	Description	Packaging
VHF-0707	Ferrule for flangeless fittings, PTFE	10/pk
VHF-0708	Ferrule for flangeless fittings, PEEK	10/pk

# 1/4"-28 THREADED FITTINGS

## HIGH PRESSURE FLANGLASS FITTING

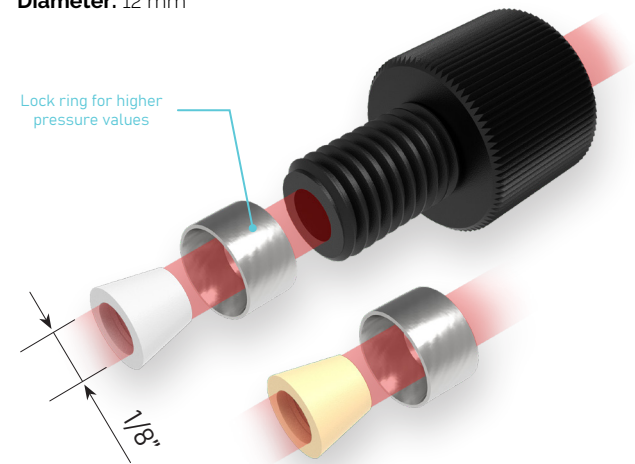
**Pressure:** 150 bar

**Ferrule Material:** PTFE, PEEK

**Nut Material:** POM (Acetal), PEEK, PEEKC, Zx410

**O.D. through:** 1/8"

**Diameter:** 12 mm



Part number	Description	Packaging
VHF-0800	1/4-28" high pressure flangeless nut for 1/8" tubing, PEEK	10/pk
VHF-0801	1/4-28" high pressure flangeless nut for 1/8" tubing, PEEKC	10/pk
VHF-0802	1/4-28" high pressure flangeless nut for 1/8" tubing, Zx410	10/pk
VHF-0803	1/4-28" high pressure flangeless nut for 1/8" tubing, POM red	10/pk
VHF-0804	1/4-28" high pressure flangeless nut for 1/8" tubing, POM blue	10/pk
VHF-0805	1/4-28" high pressure flangeless nut for 1/8" tubing, POM black	10/pk
VHF-0806	1/4-28" high pressure flangeless nut for 1/8" tubing, POM white	10/pk

### Replacement ferrules:

Part number	Description	Packaging
VHF-0807	Ferrule for flangeless fittings, PTFE with SS ring	10/pk
VHF-0808	Ferrule for flangeless fittings, PEEK with SS ring	10/pk

# 5/16"-24 THREADED FITTINGS

## FLANGLSS FITTING

**Pressure:** 100-345 bar

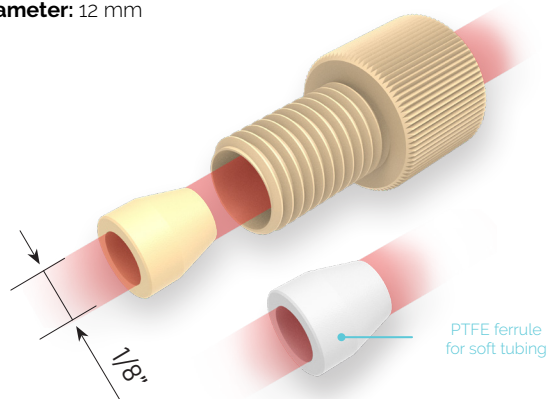
**Ferrule Material:** PTFE, PEEK

**Nut Material:** POM (Acetal), PEEK, PEEKC, Zx410

**Thread:** UNF 5/16"

**O.D. through:** 1/8"

**Diameter:** 12 mm



Part number	Description	Packaging
VHF-0900	5/16"-24" flangeless nut for 1/8" tubing, PEEK	10/pk
VHF-0901	5/16"-24" flangeless nut for 1/8" tubing, PEEKC	10/pk
VHF-0902	5/16"-24" flangeless nut for 1/8" tubing, Zx410	10/pk
VHF-0903	5/16"-24" flangeless nut for 1/8" tubing, POM red	10/pk
VHF-0904	5/16"-24" flangeless nut for 1/8" tubing, POM blue	10/pk
VHF-0905	5/16"-24" flangeless nut for 1/8" tubing, POM black	10/pk
VHF-0906	5/16"-24" flangeless nut for 1/8" tubing, POM white	10/pk

### Replacement ferrules:

Part number	Description	Packaging
VHF-0907	Ferrule for flangeless fittings, PTFE	10/pk
VHF-0908	Ferrule for flangeless fittings, PEEK	10/pk

# 5/16"-24 THREADED FITTINGS

## FINGERTIGHT FITTING, STANDARD

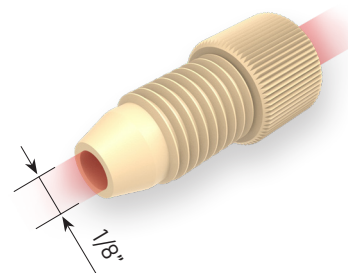
**Pressure:** 150 bar

**Material:** PEEK

**Thread:** UNF 5/16"

**O.D. through:** 1/8"

**Diameter:** 10 mm



Part number	Description	Packaging
VHF-0909	5/16"-24 fingertight fitting for 1/8" tubing, PEEK	10/pk

## TWO-PIECE FINGERTIGHT FITTING

**Pressure:** 150 bar

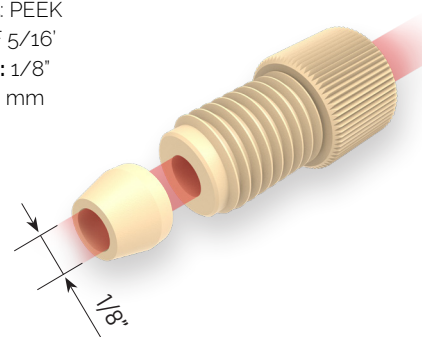
**Ferrule Material:** PEEK

**Nut Material:** PEEK

**Thread:** UNF 5/16"

**O.D. through:** 1/8"

**Diameter:** 10 mm



Part number	Description	Packaging
VHF-0910	5/16"-24 fingertight nut for 1/8" tubing, PEEK	10/pk

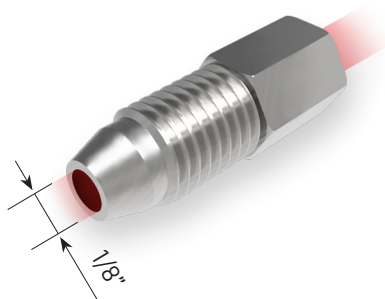
### Replacement ferrules:

Part number	Description	Packaging
VHF-0911	ferrule for 5/16"-24 fingertight fittings (for 1/8" tubing), PEEK	10/pk

# 5/16"-24 THREADED FITTINGS

## HEX NUT FITTING, STANDARD

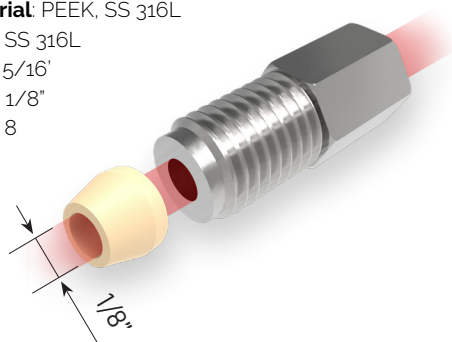
**Pressure:** 400bar  
**Material:** SS 316L  
**Thread:** UNF 5/16"  
**O.D. through:** 1/8"  
**Wrench size:** 8



Part number	Description	Packaging
VHF-0912	5/16"-24 hex nut (8mm) fitting for 1/8" tubing, SS	10/pk

## TWO-PIECE HEX NUT FITTING, STANDARD

**Pressure:** 345bar  
**Ferrule Material:** PEEK, SS 316L  
**Nut Material:** SS 316L  
**Thread:** UNF 5/16"  
**O.D. through:** 1/8"  
**Wrench size:** 8



Part number	Description	Packaging
VHF-0913	5/16"-24 two-piece hex nut (8mm) fitting for 1/8" tubing, SS	10/pk

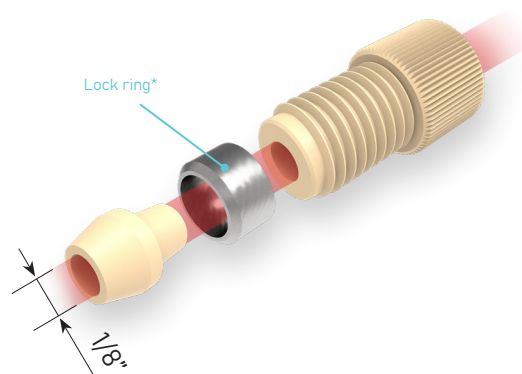
### Replacement ferrules:

Part number	Description	Packaging
VHF-0911	ferrule for 5/16"-24 fingertight fittings (for 1/8" tubing), PEEK	10/pk
VHF-0914	ferrule for 5/16"-24 fittings (for 1/8" tubing), SS	10/pk

# 5/16"-24 THREADED FITTINGS

## HIGH PRESSURE FINGERTIGHT FITTING, WITH LOCK RING

**Pressure:** 500 bar  
**Ferrule Material:** PEEK + SS 316L ring  
**Nut Material:** PEEK, SS 316L  
**Thread:** UNF 5/16"  
**O.D. through:** 1/8"  
**Diameter:** 10 mm



Part number	Description	Packaging
VHF-0910	5/16"-24 fingertight nut for 1/8" tubing, PEEK	10/pk
VHF-0913	5/16"-24 hex nut (8mm) fitting for 1/8" tubing, SS	10/pk

### Replacement ferrules:

Part number	Description	Packaging
VHF-0915	ferrule for 5/16"-24 fittings (for 1/8" tubing), PEEK with SS ring	10/pk

\*Included in VHF-0915

# LUER ADAPTERS

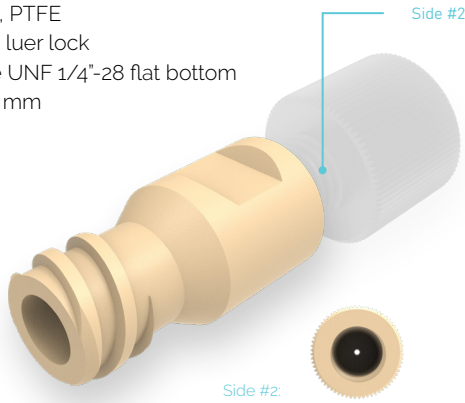
**Pressure:** N/A

**Material:** PEEK, PTFE

**Side#1:** female luer lock

**Side#2:** female UNF 1/4"-28 flat bottom

**O.D. through:** 1 mm



Part number	Description	Packaging
VHF-1001	Luer adapter, female luer lock to 1/4-28" female, PEEK	1/pk
VHF-1002	Luer adapter, female luer lock to 1/4-28" female, PTFE	1/pk

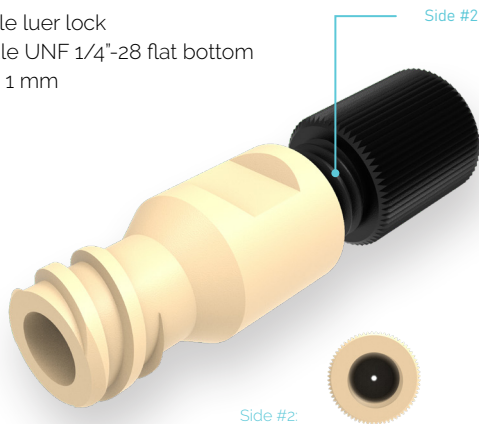
**Pressure:** N/A

**Material:** PEEK

**Side#1:** female luer lock

**Side#2:** female UNF 1/4"-28 flat bottom

**O.D. through:** 1 mm



Part number	Description	Packaging
VHF-1003	Luer adapter, female luer lock to 1/4-28" female, PEEK, including a flangeless fitting for 1/16" tubing	1/pk

# LUER ADAPTERS

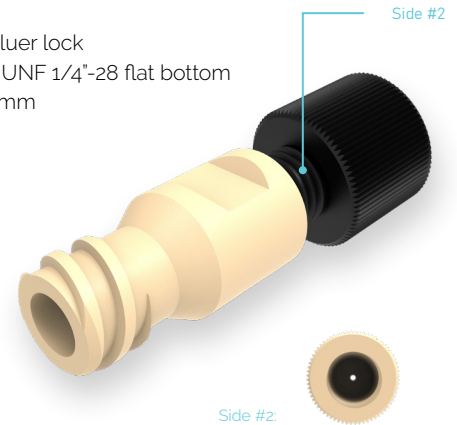
**Pressure:** N/A

**Material:** PEEK

**Side#1:** female luer lock

**Side#2:** female UNF 1/4"-28 flat bottom

**O.D. through:** 1 mm



Part number	Description	Packaging
VHF-1004	Luer adapter, female luer lock to 1/4-28" female, PEEK, including a flangeless fitting for 1/8" tubing	1/pk

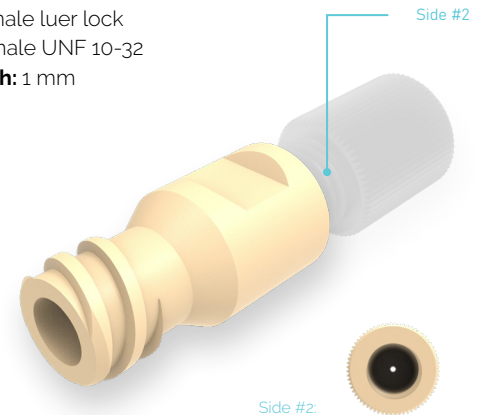
**Pressure:** N/A

**Material:** PEEK, Zx410

**Side#1:** female luer lock

**Side#2:** female UNF 10-32

**O.D. through:** 1 mm



Part number	Description	Packaging
VHF-1005	Luer adapter, female luer lock to 10-32 female, Zx410	1/pk
VHF-1006	Luer adapter, female luer lock to 10-32 female, PEEK	1/pk

## LUER ADAPTERS

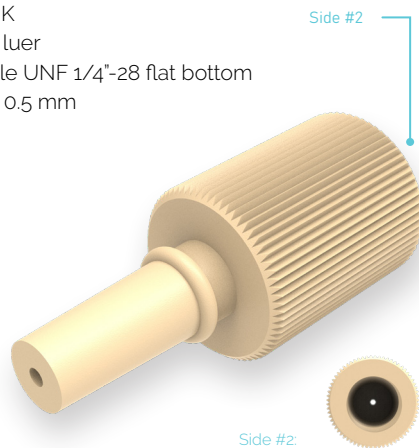
**Pressure:** N/A

**Material:** PEEK

**Side#1:** male luer

**Side#2:** female UNF 1/4"-28 flat bottom

**O.D. through:** 0.5 mm



Part number	Description	Packaging
VHF-1007	Adapter, luer male - 1/4"-28 female, PEEK	1/pk

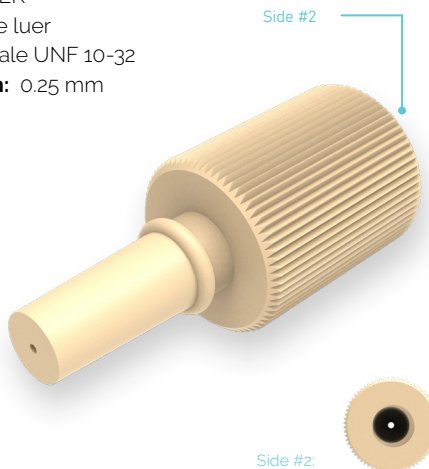
**Pressure:** N/A

**Material:** PEEK

**Side#1:** male luer

**Side#2:** female UNF 10-32

**O.D. through:** 0.25 mm



Part number	Description	Packaging
VHF-1008	Adapter, luer male - 10-32 female, PEEK	1/pk

## LUER ADAPTERS

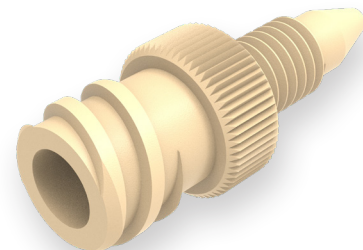
**Pressure:** N/A

**Material:** PEEK

**Side#1:** female luer lock

**Side#2:** male 10-32

**O.D. through:** 1.65 mm



Part number	Description	Packaging
VHF-1009	Luer adapter, female luer lock to 10-32 male, PEEK	1/pk

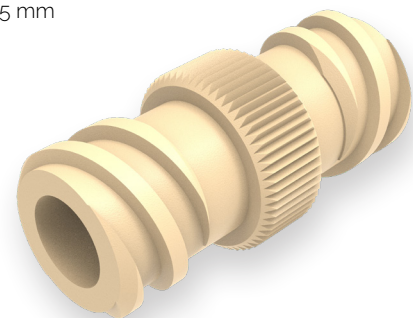
**Pressure:** N/A

**Material:** PEEK

**Side#1:** female luer lock

**Side#2:** female luer lock

**O.D. through:** 1.65 mm



Part number	Description	Packaging
VHF-1010	Luer union, female to female, lock, PEEK	1/pk



## THREAD ADAPTERS

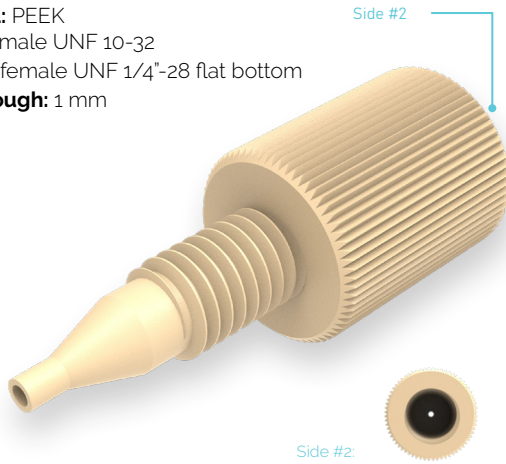
**Pressure:** 35bar

**Material:** PEEK

**Side#1:** male UNF 10-32

**Side#2:** female UNF 1/4"-28 flat bottom

**O.D. through:** 1 mm



Part number	Description	Packaging
VHZ-004	Adapter, 10-32 male - 1/4"-28 female, PEEK	1/pk

## THREAD ADAPTERS

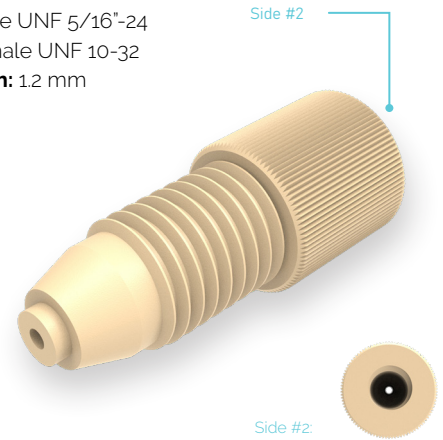
**Pressure:** 35bar

**Material:** PEEK

**Side#1:** male UNF 5/16"-24

**Side#2:** female UNF 10-32

**O.D. through:** 1.2 mm



Part number	Description	Packaging
VHZ-007	Adapter, 5/16"-24 male - 10-32 female, PEEK	1/pk

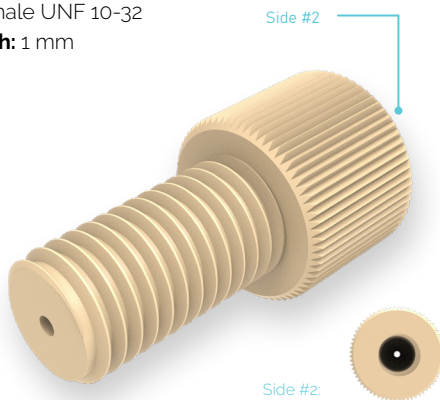
**Pressure:** 35bar

**Material:** PEEK

**Side#1:** male UNF 1/4"-28 flat bottom

**Side#2:** female UNF 10-32

**O.D. through:** 1 mm



Part number	Description	Packaging
VHZ-005	Adapter, 1/4"-28 male - 10-32 female, PEEK	1/pk

**Pressure:** 150bar

**Material:** SS 316L

**Side#1:** male UNF 5/16"-24

**Side#2:** female UNF 10-32

**Wrench size:** 8



Part number	Description	Packaging
VHZ-013	Adapter, 5/16"-24 male - 10-32 female, SS	1/pk



# THREAD ADAPTERS

**Pressure:** 150bar  
**Material:** SS 316L  
**Side#1:** male UNF 5/16"-24  
**Side#2:** female UNF 1/4"-28 flat bottom  
**Wrench size:** 8



Part number	Description	Packaging
VHZ-014	Adapter, 5/16"-24 male - 1/4"-28 female, SS	1/pk

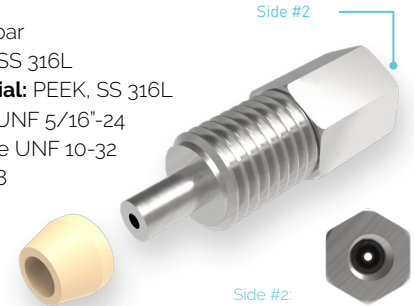
**Pressure:** 150bar  
**Material:** SS 316L  
**Side#1:** male UNF 5/16"-24  
**Side#2:** female luer  
**Wrench size:** 8



Part number	Description	Packaging
VHZ-015	Adapter, 5/16"-24 male - luer female, SS	1/pk

# THREAD ADAPTERS

**Pressure:** 150bar  
**Nut Material:** SS 316L  
**Ferrule Material:** PEEK, SS 316L  
**Side#1:** male UNF 5/16"-24  
**Side#2:** female UNF 10-32  
**Wrench size:** 8



Part number	Description	Packaging
VHZ-016	Adapter, 5/16"-24 male - 10-32 female, SS, with removable ferrule	1/pk

## Replacement ferrules:

Part number	Description	Packaging
VHF-0911	ferrule for 5/16"-24 fingertight fittings (for 1/8" tubing), PEEK	10/pk
VHF-0914	ferrule for 5/16"-24 fittings (for 1/8" tubing), SS	10/pk

**Pressure:** 150bar  
**Nut Material:** SS 316L  
**Ferrule Material:** PEEK, SS 316L  
**Side#1:** male UNF 5/16"-24  
**Side#2:** female UNF 1/4"-28 flat bottom  
**Wrench size:** 8



Part number	Description	Packaging
VHZ-017	Adapter, 5/16"-24 male - 1/4"-28 female, SS, with removable ferrule	1/pk

## Replacement ferrules:

Part number	Description	Packaging
VHF-0911	ferrule for 5/16"-24 fingertight fittings (for 1/8" tubing), PEEK	10/pk
VHF-0914	ferrule for 5/16"-24 fittings (for 1/8" tubing), SS	10/pk

# THREAD ADAPTERS

**Pressure:** 150bar

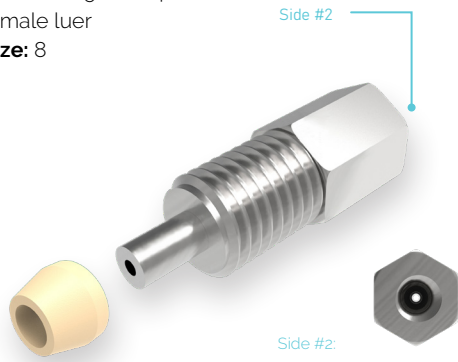
**Nut Material:** SS 316L

**Ferrule Material:** PEEK, SS 316L

**Side#1:** male UNF 5/16"-24

**Side#2:** female luer

**Wrench size:** 8



Part number	Description	Packaging
VHZ-018	Adapter, 5/16"-24 male - luer female, SS, with removable ferrule	1/pk

## Replacement ferrules:

Part number	Description	Packaging
VHF-0911	ferrule for 5/16"-24 fingertight fittings (for 1/8" tubing), PEEK	10/pk
VHF-0914	ferrule for 5/16"-24 fittings (for 1/8" tubing), SS	10/pk

# UNIONS

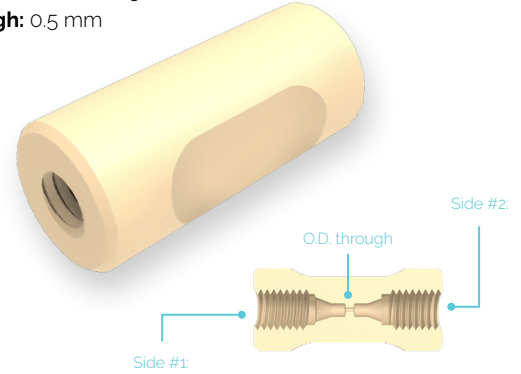
**Pressure:** 345bar

**Material:** PEEK

**Side#1:** female UNF 10-32

**Side#2:** female UNF 10-32

**O.D. through:** 0.5 mm



Part number	Description	Packaging
VHZ-001	ZDV union for 1/16" tubings	1/pk

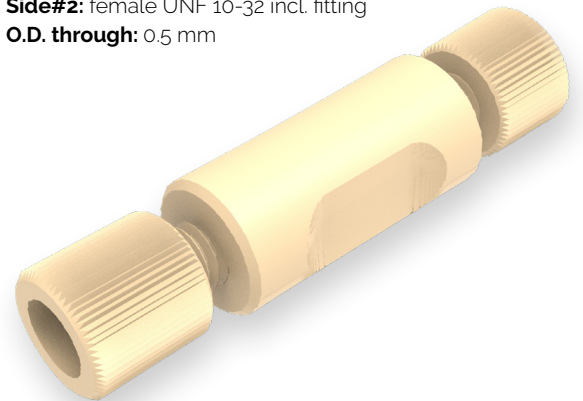
**Pressure:** 345bar

**Material:** PEEK

**Side#1:** female UNF 10-32 incl. fitting

**Side#2:** female UNF 10-32 incl. fitting

**O.D. through:** 0.5 mm



Part number	Description	Packaging
VHZ-002	ZDV union for 1/16" tubings, including 2 x 10-32 fingertight PEEK fitting for 1/16" tubing	1/pk

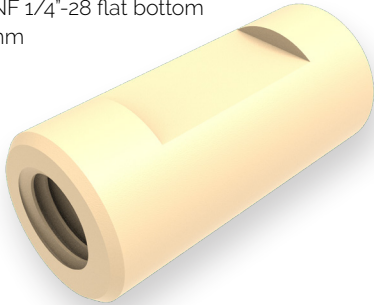
**Pressure:** 35-135bar

**Material:** PEEK, PTFE

**Side#1:** female UNF 1/4"-28 flat bottom

**Side#2:** female UNF 1/4"-28 flat bottom

**O.D. through:** 1.5 mm



Part number	Description	Packaging
VHZ-003	Standard union with 1/4"-28" female ports, PEEK	1/pk
VHZ-006	Standard union with 1/4"-28" female ports, PTFE	1/pk

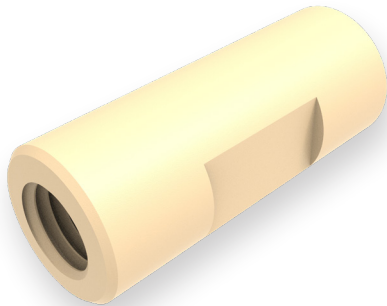
**Pressure:** 35-135bar

**Material:** PEEK, PTFE

**Side#1:** female UNF 5/16"-24

**Side#2:** female UNF 5/16"-24

**O.D. through:** 2.5 mm



Part number	Description	Packaging
VHZ-008	Standard union with 5/16"-24 female ports, PEEK	1/pk

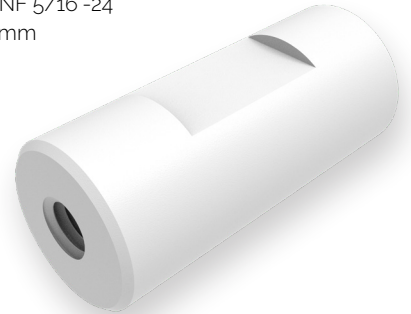
**Pressure:** 35bar

**Material:** PTFE

**Side#1:** female UNF 10-32

**Side#2:** female UNF 5/16"-24

**O.D. through:** 0.5 mm



Part number	Description	Packaging
VHZ-009	Standard union with 5/16"-24 female and 10-32 female ports, PTFE	1/pk

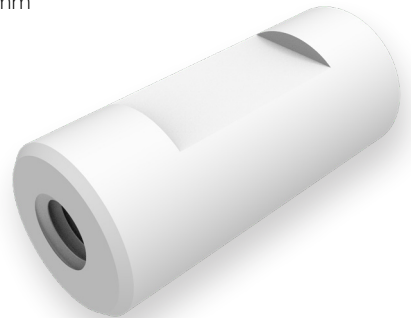
**Pressure:** 35bar

**Material:** PTFE

**Side#1:** female UNF 1/4"-28 flat bottom

**Side#2:** female UNF 10-32

**O.D. through:** 1.2 mm



Part number	Description	Packaging
VHZ-010	Standard union with 1/4"-28 female and 10-32 female ports, PTFE	1/pk

## UNIONS

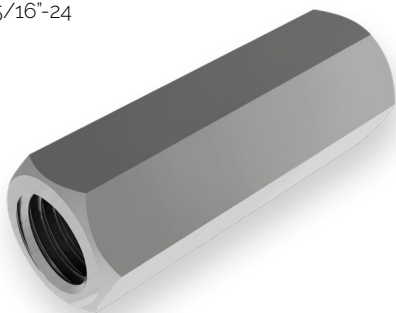
**Pressure:** 1000bar

**Material:** SS 316L

**Side#1:** female UNF 5/16"-24

**Side#2:** female UNF 5/16"-24

**O.D. through:** 2.5 mm



Part number	Description	Packaging
VHZ-011	Standard union with 5/16"-24 female ports, SS	1/pk

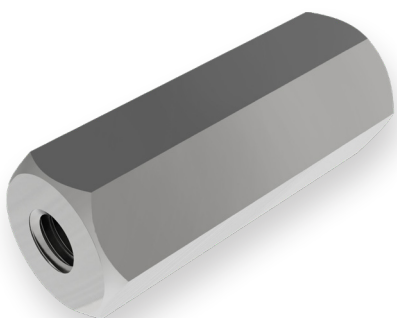
**Pressure:** 1000bar

**Material:** SS 316L

**Side#1:** female UNF 10-32

**Side#2:** female UNF 5/16"-24

**O.D. through:** 0.5 mm



Part number	Description	Packaging
VHZ-012	Standard union with 5/16"-24 female and 10-32 female ports, SS	1/pk

## UNIONS, SEALING PLUGS

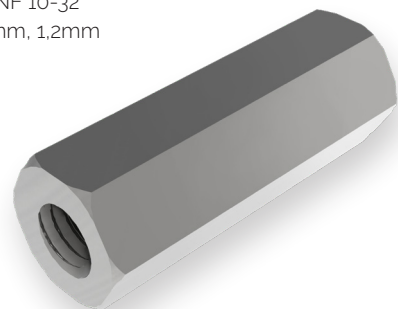
**Pressure:** 1000bar

**Material:** SS 316L

**Side#1:** female UNF 10-32

**Side#2:** female UNF 10-32

**O.D. through:** 0.5mm, 1.2mm

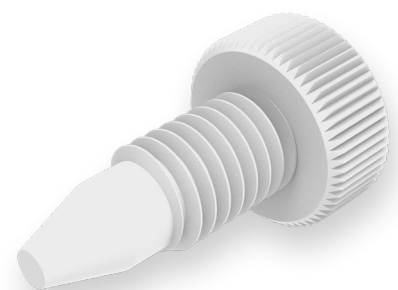


Part number	Description	Packaging
VHZ-019	ZDV union for 1/16" tubings with 1.2mm through hole, SS	1/pk
VHZ-020	ZDV union for 1/16" tubings with 0.5mm through hole, SS	1/pk

**Pressure:** N/A

**Material:** PTFE

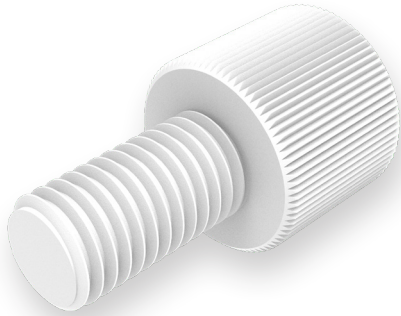
**Thread:** UNF 10-32



Part number	Description	Packaging
VHF-0112	10-32 column sealing plug, PTFE	10/pk

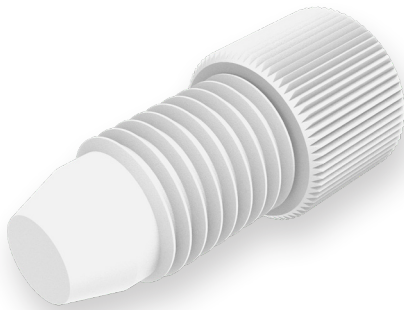
# SEALING PLUGS

**Pressure:** N/A  
**Material:** PTFE  
**Thread:** UNF 1/4"-28 flat bottom



Part number	Description	Packaging
VHF-0709	1/4"-28" blind plug, PTFE	10/pk

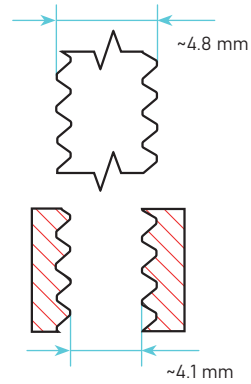
**Pressure:** N/A  
**Material:** PTFE  
**Thread:** UNF 5/16"-24



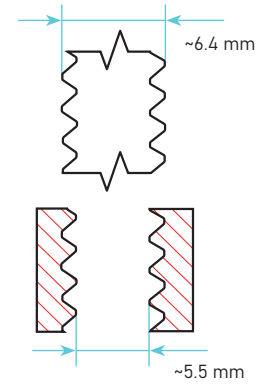
Part number	Description	Packaging
VHF-0916	5/16"-24" blind plug, PTFE	10/pk

# THREAD SIZE CHART

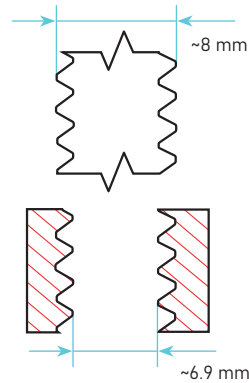
## UNF 10-32



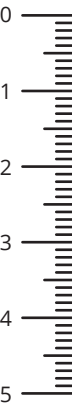
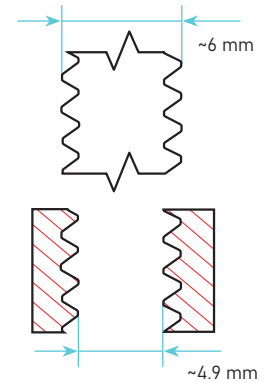
## UNF 1/4"-28



## 5/16-24

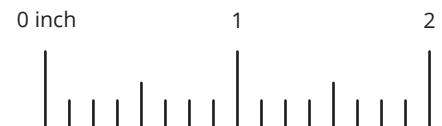


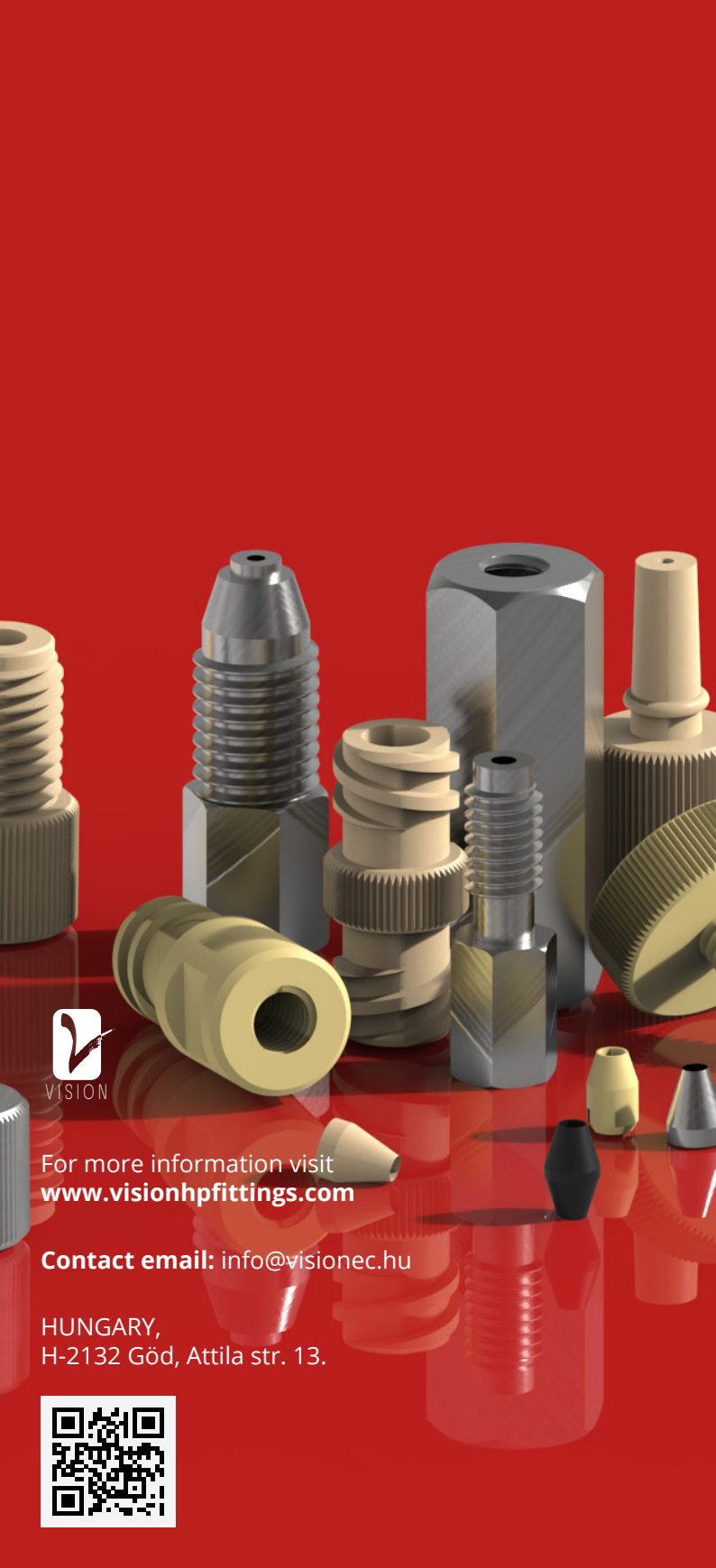
## M6



## Tubing O. D. chart

	1/16"	1.56 - 1.65 mm
	1/8"	3.1 - 3.2 mm
	3/16"	4.6 - 4.8 mm





VISION

For more information visit  
[www.visionhpfittings.com](http://www.visionhpfittings.com)

**Contact email:** [info@visionec.hu](mailto:info@visionec.hu)

HUNGARY,  
H-2132 Göd, Attila str. 13.

